

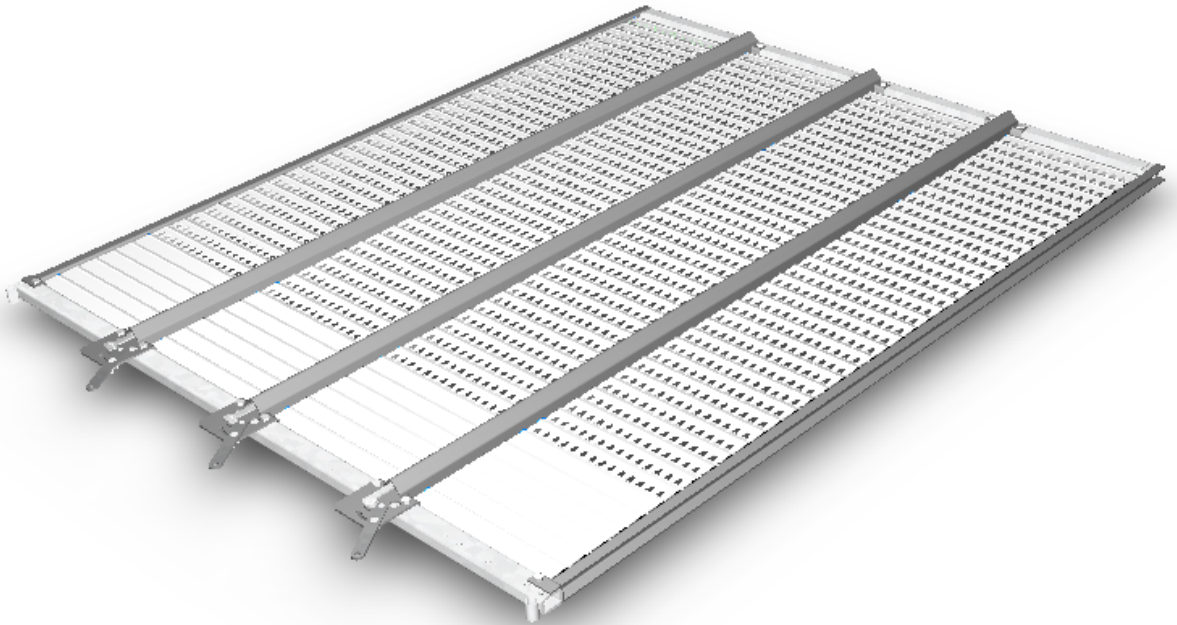


# Gateway

SIEVE & CHAFFER SYSTEM

## *Parts Book*

Two Panel, Single Adjustment Frames



HCC, Inc.  
1501 1<sup>st</sup> Avenue  
Mendota, IL 61342  
815-539-9371  
[www.hccincorporated.com](http://www.hccincorporated.com)

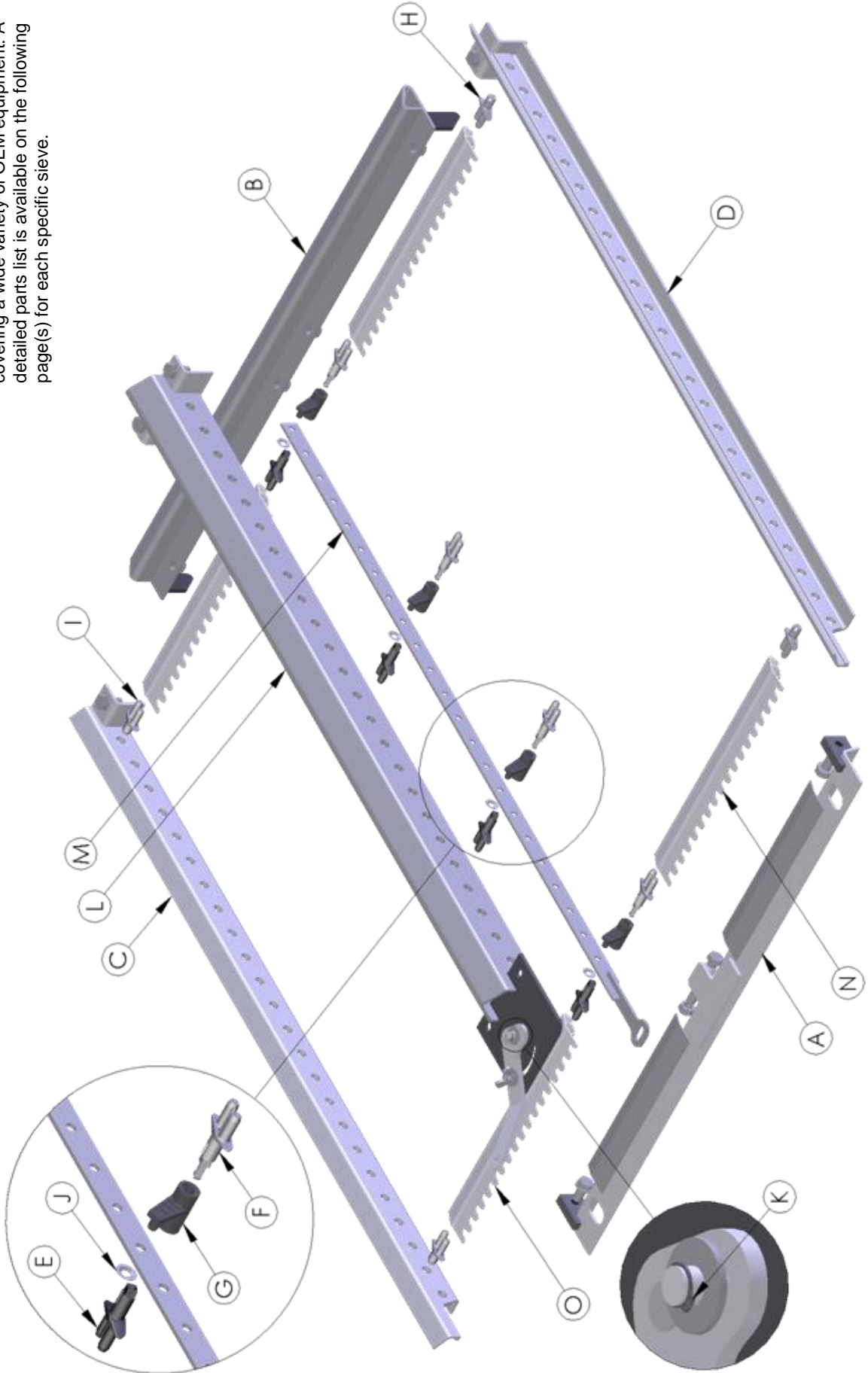
C-1101

U.S. PATENT No. 6890253  
AND FOREIGN PATENTS PENDING

Rev. C

# **GATEWAY DIAGRAM**

The Gateway diagram on this page is generic, covering a wide variety of OEM equipment. A detailed parts list is available on the following page(s) for each specific sieve.





# SERVICE PART LIST

**PART NUMBER: 002585**

REVISION I.D. :-

DESCRIPTION: JOHN DEERE 9400, 9500 & 9510 CHAFFER

ITEM	QTY.	PART NUMBER	DESCRIPTION
A	1	709194	REAR MEMBER ASSY.
B	1	709237	FRONT NOSE ASSEMBLY
C	1	709221	SIDE CHANNEL ASSY. - LH
D	1	709222	SIDE CHANNEL ASSY. - RH
E	23	409000	AXLE CONNECTOR - FEMALE
F	23	409001	AXLE CONNECTOR - MALE
G	23	409002	CRANK ARM - LONG
H	23	409004	END CRANK - R.H.
I	23	409005	END CRANK - L.H.
J	4	212366	PUSHNUT - .250 STUD DIA.
K	1	222040	SNAP RING
L	1	709196	DIVIDER ASSY
M	1	709199	ADJUSTMENT BAR ASSY.
N	46	409271	SLAT - SIEVE
O	-	-	-
-	6	202130	BOLT - MACHINE HEX. HD.
-	1	202670	BOLT - MACHINE HEX HD.
-	5	212189	NUT - HEX. LOCK
-	2	214130	WASHER - HEL. SPRING LOCK
-	1	214280	WASHER - ST'D. FLAT
-	2	405700	FILLER PIECE

**PART NUMBER: 002587**

REVISION I.D. :-

DESCRIPTION: JOHN DEERE 9400, 9500 & 9510 CHAFFER

ITEM	QTY.	PART NUMBER	DESCRIPTION
A	1	709194	REAR MEMBER ASSY.
B	1	709237	FRONT NOSE ASSEMBLY
C	1	709223	SIDE CHANNEL ASSY. - LH
D	1	709224	SIDE CHANNEL ASSY. - RH
E	17	409000	AXLE CONNECTOR - FEMALE
F	17	409001	AXLE CONNECTOR - MALE
G	17	409002	CRANK ARM - LONG
H	17	409004	END CRANK - R.H.
I	17	409005	END CRANK - L.H.
J	4	212366	PUSHNUT - .250 STUD DIA.
K	1	222040	SNAP RING
L	1	709225	DIVIDER ASSEMBLY
M	1	709226	ADJUSTMENT BAR ASSY.
N	34	409272	SLAT - CHAFFER
O	-	-	-
-	6	202130	BOLT - MACHINE HEX. HD.
-	1	202670	BOLT - MACHINE HEX HD.
-	5	212189	NUT - HEX. LOCK
-	2	214130	WASHER - HEL. SPRING LOCK
-	1	214280	WASHER - ST'D. FLAT
-	2	405700	FILLER PIECE

**PART NUMBER: 002586**

REVISION I.D. : A

DESCRIPTION: JOHN DEERE 9400, 9500 & 9510 SIEVE

ITEM	QTY.	PART NUMBER	DESCRIPTION
A	1	709231	REAR MEMBER ASSY.
B	1	709236	FRONT NOSE ASSEMBLY
C	1	709227	SIDE CHANNEL ASSY. - LH
D	1	709228	SIDE CHANNEL ASSY. - RH
E	33	409000	AXLE CONNECTOR
F	33	409001	AXLE CONNECTOR
G	33	409002	CRANK ARM - LONG
H	33	409004	END CRANK - R.H.
I	33	409005	END CRANK - L.H.
J	6	212366	PUSHNUT - .250 STUD DIA.
K	1	222040	SNAP RING
L	1	709229	DIVIDER ASSEMBLY
M	1	709230	ADJUSTMENT BAR ASSY.
N	33	409282	SLAT - SIEVE
O	33	409283	SLAT - SIEVE
-	6	202130	BOLT - MACHINE HEX. HD.
-	1	202670	BOLT - MACHINE HEX HD.
-	5	212189	NUT - HEX. LOCK
-	2	214130	WASHER - HEL. SPRING LOCK
-	1	214280	WASHER - ST'D. FLAT
-	1	409289	FILLER PIECE
-	1	409291	FILLER PIECE

**PART NUMBER: 002588**

REVISION I.D. :-

DESCRIPTION: JOHN DEERE 9400, 9500 & 9510 CHAFFER

ITEM	QTY.	PART NUMBER	DESCRIPTION
A	1	709194	REAR MEMBER ASSY.
B	1	709237	FRONT NOSE ASSEMBLY
C	1	709221	SIDE CHANNEL ASSY. - LH
D	1	709222	SIDE CHANNEL ASSY. - RH
E	23	409000	AXLE CONNECTOR - FEMALE
F	23	409001	AXLE CONNECTOR - MALE
G	23	409002	CRANK ARM - LONG
H	23	409004	END CRANK - R.H.
I	23	409005	END CRANK - L.H.
J	4	212366	PUSHNUT - .250 STUD DIA.
K	1	222040	SNAP RING
L	1	709196	DIVIDER ASSY
M	1	709199	ADJUSTMENT BAR ASSY.
N	46	409272	SLAT - CHAFFER
O	-	-	-
-	6	202130	BOLT - MACHINE HEX. HD.
-	1	202670	BOLT - MACHINE HEX HD.
-	5	212189	NUT - HEX. LOCK
-	2	214130	WASHER - HEL. SPRING LOCK
-	1	214280	WASHER - ST'D. FLAT
-	2	405700	FILLER PIECE



# SERVICE PART LIST

**PART NUMBER: 002589**

REVISION I.D. : **A**

DESCRIPTION: JOHN DEERE 9400, 9500 & 9510 SIEVE

ITEM	QTY.	PART NUMBER	DESCRIPTION
A	1	709231	REAR MEMBER ASSY.
B	1	709236	FRONT NOSE ASSEMBLY
C	1	709227	SIDE CHANNEL ASSY. - LH
D	1	709228	SIDE CHANNEL ASSY. - RH
E	33	409000	AXLE CONNECTOR
F	33	409001	AXLE CONNECTOR
G	33	409002	CRANK ARM - LONG
H	33	409004	END CRANK - R.H.
I	33	409005	END CRANK - L.H.
J	6	212366	PUSHNUT - .250 STUD DIA.
K	1	222040	SNAP RING
L	1	709229	DIVIDER ASSEMBLY
M	1	709230	ADJUSTMENT BAR ASSY.
N	33	409284	SLAT - CHAFFER
O	33	409285	SLAT - CHAFFER
-	6	202130	BOLT - MACHINE HEX. HD.
-	1	202670	BOLT - MACHINE HEX HD.
-	5	212189	NUT - HEX. LOCK
-	2	214130	WASHER - HEL. SPRING LOCK
-	1	214280	WASHER - ST'D. FLAT
-	1	409289	FILLER PIECE
-	1	409291	FILLER PIECE

**PART NUMBER: 002591**

REVISION I.D. : **A**

DESCRIPTION: JOHN DEERE 9400, 9500 & 9510 SIEVE

ITEM	QTY.	PART NUMBER	DESCRIPTION
A	1	709232	REAR MEMBER ASSY.
B	1	709236	FRONT NOSE ASSEMBLY
C	1	709227	SIDE CHANNEL ASSY. - LH
D	1	709228	SIDE CHANNEL ASSY. - RH
E	33	409000	AXLE CONNECTOR
F	33	409001	AXLE CONNECTOR
G	33	409002	CRANK ARM - LONG
H	33	409004	END CRANK - R.H.
I	33	409005	END CRANK - L.H.
J	6	212366	PUSHNUT - .250 STUD DIA.
K	1	222040	SNAP RING
L	1	709229	DIVIDER ASSEMBLY
M	1	709230	ADJUSTMENT BAR ASSY.
N	33	409285	SLAT - CHAFFER
O	33	409284	SLAT - CHAFFER
-	6	202130	BOLT - MACHINE HEX. HD.
-	1	202670	BOLT - MACHINE HEX HD.
-	5	212189	NUT - HEX. LOCK
-	2	214130	WASHER - HEL. SPRING LOCK
-	1	214280	WASHER - ST'D. FLAT
-	1	409289	FILLER PIECE
-	1	409291	FILLER PIECE

**PART NUMBER: 002590**

REVISION I.D. : **A**

DESCRIPTION: JOHN DEERE 9400, 9500 & 9510 SIEVE

ITEM	QTY.	PART NUMBER	DESCRIPTION
A	1	709232	REAR MEMBER ASSY.
B	1	709236	FRONT NOSE ASSEMBLY
C	1	709227	SIDE CHANNEL ASSY. - LH
D	1	709228	SIDE CHANNEL ASSY. - RH
E	33	409000	AXLE CONNECTOR
F	33	409001	AXLE CONNECTOR
G	33	409002	CRANK ARM - LONG
H	33	409004	END CRANK - R.H.
I	33	409005	END CRANK - L.H.
J	6	212366	PUSHNUT - .250 STUD DIA.
K	1	222040	SNAP RING
L	1	709229	DIVIDER ASSEMBLY
M	1	709230	ADJUSTMENT BAR ASSY.
N	33	409283	SLAT - SIEVE
O	33	409282	SLAT - SIEVE
-	6	202130	BOLT - MACHINE HEX. HD.
-	1	202670	BOLT - MACHINE HEX HD.
-	5	212189	NUT - HEX. LOCK
-	2	214130	WASHER - HEL. SPRING LOCK
-	1	214280	WASHER - ST'D. FLAT
-	1	409289	FILLER PIECE
-	1	409291	FILLER PIECE

**PART NUMBER: 002595**

REVISION I.D. : -

DESCRIPTION: JOHN DEERE 9600 & 9610 CHAFFER

ITEM	QTY.	PART NUMBER	DESCRIPTION
A	1	709233	REAR MEMBER ASSY.
B	1	709238	FRONT NOSE ASSY.
C	1	709221	SIDE CHANNEL ASSY. - LH
D	1	709222	SIDE CHANNEL ASSY. - RH
E	23	409000	AXLE CONNECTOR - FEMALE
F	23	409001	AXLE CONNECTOR - MALE
G	23	409002	CRANK ARM - LONG
H	23	409004	END CRANK - R.H.
I	23	409005	END CRANK - L.H.
J	4	212366	PUSHNUT - .250 STUD DIA.
K	1	222040	SNAP RING
L	1	709196	DIVIDER ASSY
M	1	709199	ADJUSTMENT BAR ASSY.
N	46	409288	SLAT - SIEVE
O	-	-	-
-	6	202130	BOLT - MACHINE HEX. HD.
-	1	202670	BOLT - MACHINE HEX HD.
-	5	212189	NUT - HEX. LOCK
-	2	214130	WASHER - HEL. SPRING LOCK
-	1	214280	WASHER - ST'D. FLAT
-	2	409289	FILLER PIECE



# SERVICE PART LIST

**PART NUMBER: 002597**

REVISION I.D. :-

DESCRIPTION: JOHN DEERE 9600 & 9610 CHAFFER

**PART NUMBER: 002598**

REVISION I.D. :-

DESCRIPTION: JOHN DEERE 9600 & 9610 CHAFFER

<u>ITEM</u>	<u>QTY.</u>	<u>PART NUMBER</u>	<u>DESCRIPTION</u>
A	1	709233	REAR MEMBER ASSY.
B	1	709238	FRONT NOSE ASSY.
C	1	709223	SIDE CHANNEL ASSY. - LH
D	1	709224	SIDE CHANNEL ASSY. - RH
E	17	409000	AXLE CONNECTOR - FEMALE
F	17	409001	AXLE CONNECTOR - MALE
G	17	409002	CRANK ARM - LONG
H	17	409004	END CRANK - R.H.
I	17	409005	END CRANK - L.H.
J	4	212366	PUSHNUT - .250 STUD DIA.
K	1	222040	SNAP RING
L	1	709225	DIVIDER ASSEMBLY
M	1	709226	ADJUSTMENT BAR ASSY.
N	34	409290	SLAT - CHAFFER
O	-	-	-
-	6	202130	BOLT - MACHINE HEX. HD.
-	1	202670	BOLT - MACHINE HEX HD.
-	5	212189	NUT - HEX. LOCK
-	2	214130	WASHER - HEL. SPRING LOCK
-	1	214280	WASHER - ST'D. FLAT
-	2	409289	FILLER PIECE

<u>ITEM</u>	<u>QTY.</u>	<u>PART NUMBER</u>	<u>DESCRIPTION</u>
A	1	709233	REAR MEMBER ASSY.
B	1	709238	FRONT NOSE ASSY.
C	1	709221	SIDE CHANNEL ASSY. - LH
D	1	709222	SIDE CHANNEL ASSY. - RH
E	23	409000	AXLE CONNECTOR - FEMALE
F	23	409001	AXLE CONNECTOR - MALE
G	23	409002	CRANK ARM - LONG
H	23	409004	END CRANK - R.H.
I	23	409005	END CRANK - L.H.
J	4	212366	PUSHNUT - .250 STUD DIA.
K	1	222040	SNAP RING
L	1	709196	DIVIDER ASSY
M	1	709199	ADJUSTMENT BAR ASSY.
N	46	409290	SLAT - CHAFFER
O	-	-	-
-	6	202130	BOLT - MACHINE HEX. HD.
-	1	202670	BOLT - MACHINE HEX HD.
-	5	212189	NUT - HEX. LOCK
-	2	214130	WASHER - HEL. SPRING LOCK
-	1	214280	WASHER - ST'D. FLAT
-	2	409289	FILLER PIECE

**HCC, inc.**  
1501 1<sup>ST</sup> Avenue – Mendota, Illinois 61342  
(815) 539-9371 Fax (815) 539-3135  
**WARRANTY REGISTRATION**

Delivery Date \_\_\_\_\_ Ultimate User \_\_\_\_\_

Address \_\_\_\_\_

City, State (Province) \_\_\_\_\_ Zip/Postal Code \_\_\_\_\_

Country \_\_\_\_\_ Telephone (\_\_\_\_) \_\_\_\_\_

---

---

Dealer/Distributor Name \_\_\_\_\_

Dealer/Distributor Customer Number \_\_\_\_\_ Telephone (\_\_\_\_) \_\_\_\_\_

Address \_\_\_\_\_

City, State (Province) \_\_\_\_\_ Zip/Postal Code \_\_\_\_\_

Country \_\_\_\_\_

---

---

**To be completed by DEALER / DISTRIBUTOR or ULTIMATE USER:**

**Please place an (X) in front of the product or products you are submitting this Warranty Registration form for.**

- \_\_\_\_\_ Orbit Reel \_\_\_\_\_ Product kit number
- \_\_\_\_\_ Gateway Sieve or chaffer \_\_\_\_\_ Product frame number
- \_\_\_\_\_ Reel
- \_\_\_\_\_ Other / List \_\_\_\_\_

**Please make a copy of this WARRANTY REGISTRATION form for your records and return the original to:**

**Marketing & Sales Manager  
HCC, Inc.  
1501 1<sup>ST</sup> Avenue  
Mendota, Illinois 61342 USA**

**Form must be completed and returned to HCC, Inc. within 30 days from receipt of delivery or warranty may become void.**

**HCC, inc.**  
1501 1<sup>st</sup> Avenue – Mendota, Illinois 61342  
(815) 539-9371 Fax (815) 539-3135  
**LIMITED WARRANTY**

HCC, inc. warrants each new HCC, inc. product to be free from defects in material and workmanship. This warranty is applicable only for the normal service life expectancy of the product or components, not to exceed 12 consecutive months from the date of delivery of the new HCC, inc. product to the original purchaser.

Genuine HCC, inc. replacement parts and components will be warranted for 90 days from date of purchase, or the remainder of the original equipment warranty period, whichever is longer. There is no warranty for tines.

Under no circumstances will it cover any merchandise or components thereof, which, in the opinion of the company, has been subjected to misuse, unauthorized modifications, alteration, an accident, or if repairs have been made with parts other than those obtainable through HCC, inc.

Our obligation under this warranty shall be limited to repairing or replacing, free of charge to the original purchaser, any part that, in our judgment, shall show evidence of such defect, provided further that such part shall be returned within thirty (30) days from date of failure to HCC, inc., routed through the dealer and distributor from whom the purchase was made, transportation charges prepaid.

This warranty shall not be interpreted to render HCC, inc. liable for injury or damages of any kind or nature to person or property. This warranty does not extend to the loss of crops, loss because of delay in harvesting, or any expense or loss incurred for labor, substitute machinery, rental, or for any other reason.

Except as set forth above, **HCC, inc. shall have no obligation or liability of any kind on account of any of its equipment and shall not be liable for special or consequential damages. HCC, inc. makes no other warranty, expressed or implied, and specifically, HCC, inc. disclaims any implied warranty of merchantability or fitness for a particular purpose. Some states or provinces do not permit limitations or exclusions of implied warranties or incidental or consequential damages, so the limitations or exclusion in this warranty may not apply.**

This warranty is subject to any existing conditions of supply which may directly affect our ability to obtain materials or manufacture replacement parts.

HCC, inc. reserves the right to make improvements in design or changes in specifications at any time, without incurring any obligation to owners of units previously sold.

No one is authorized to alter, modify, or enlarge this warranty nor the exclusion, limitations, and reservations.

**Effective with products delivered to original user on or after January 1, 2006**