

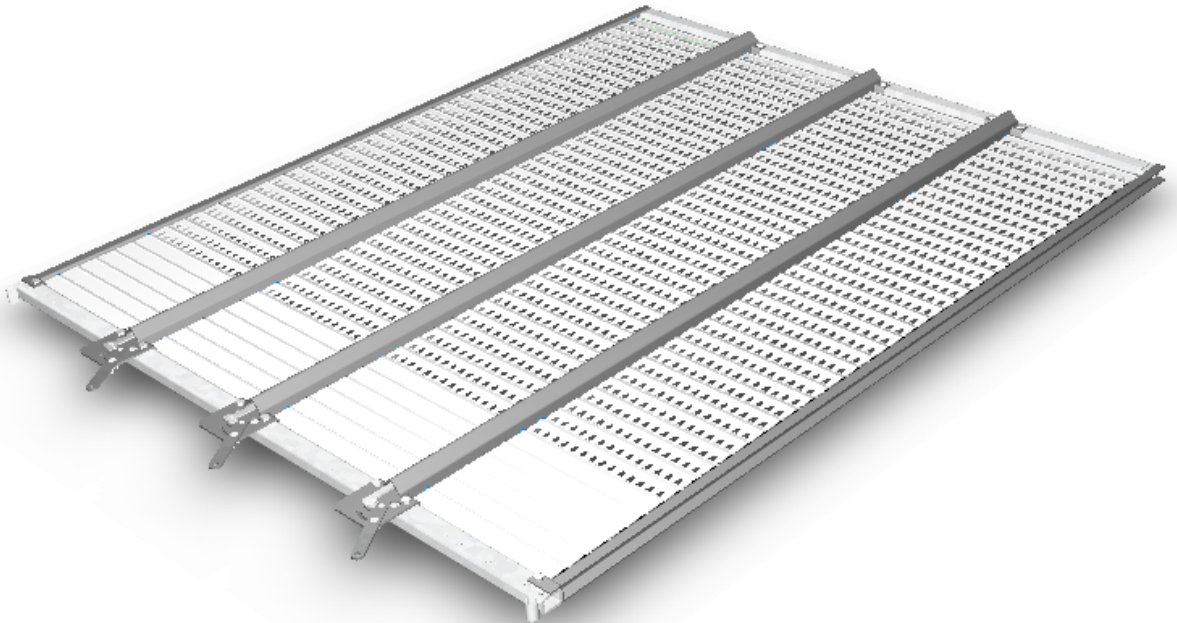


Gateway

SIEVE & CHAFFER SYSTEM

Parts Book

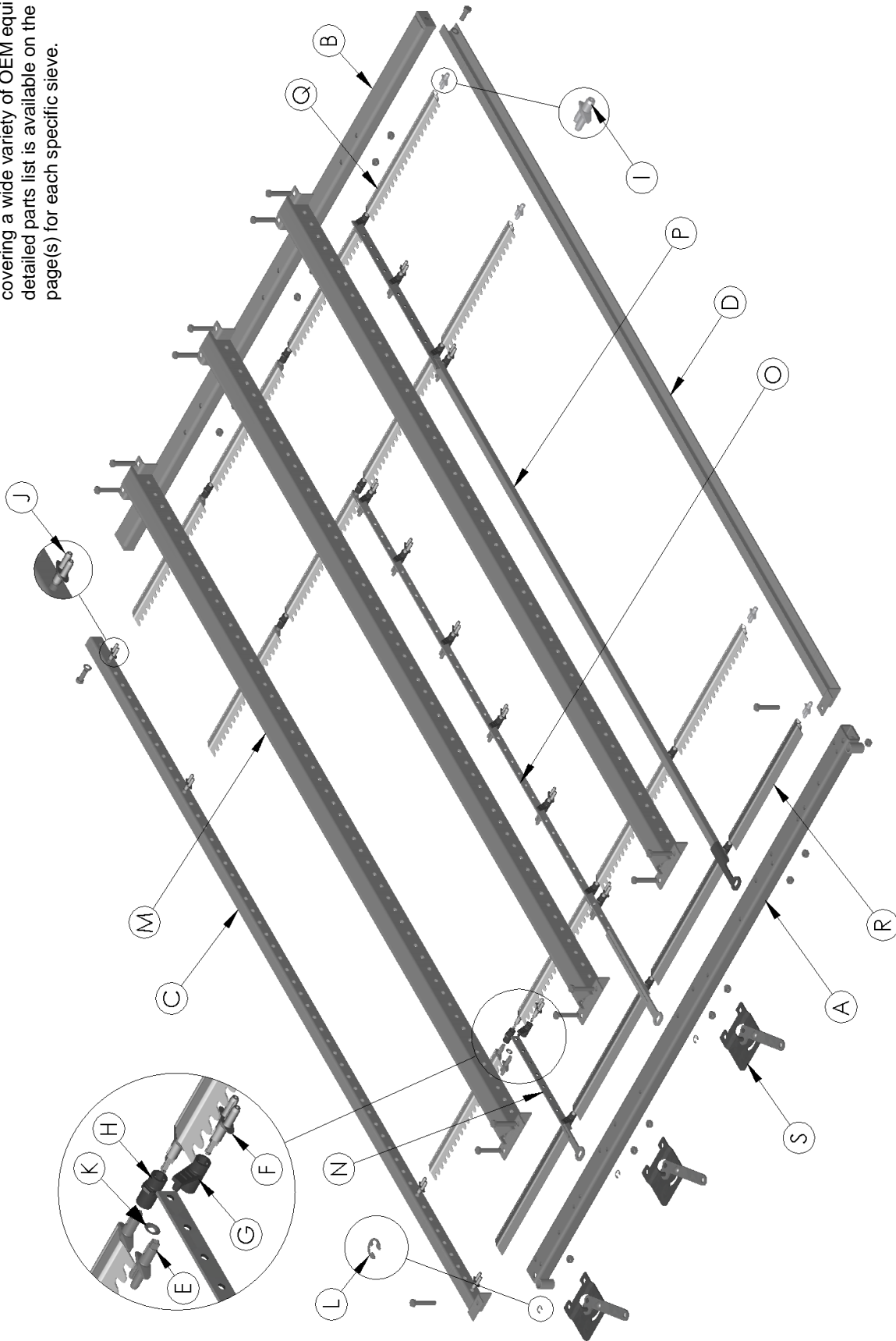
Four Panel, Triple Adjustment Frames



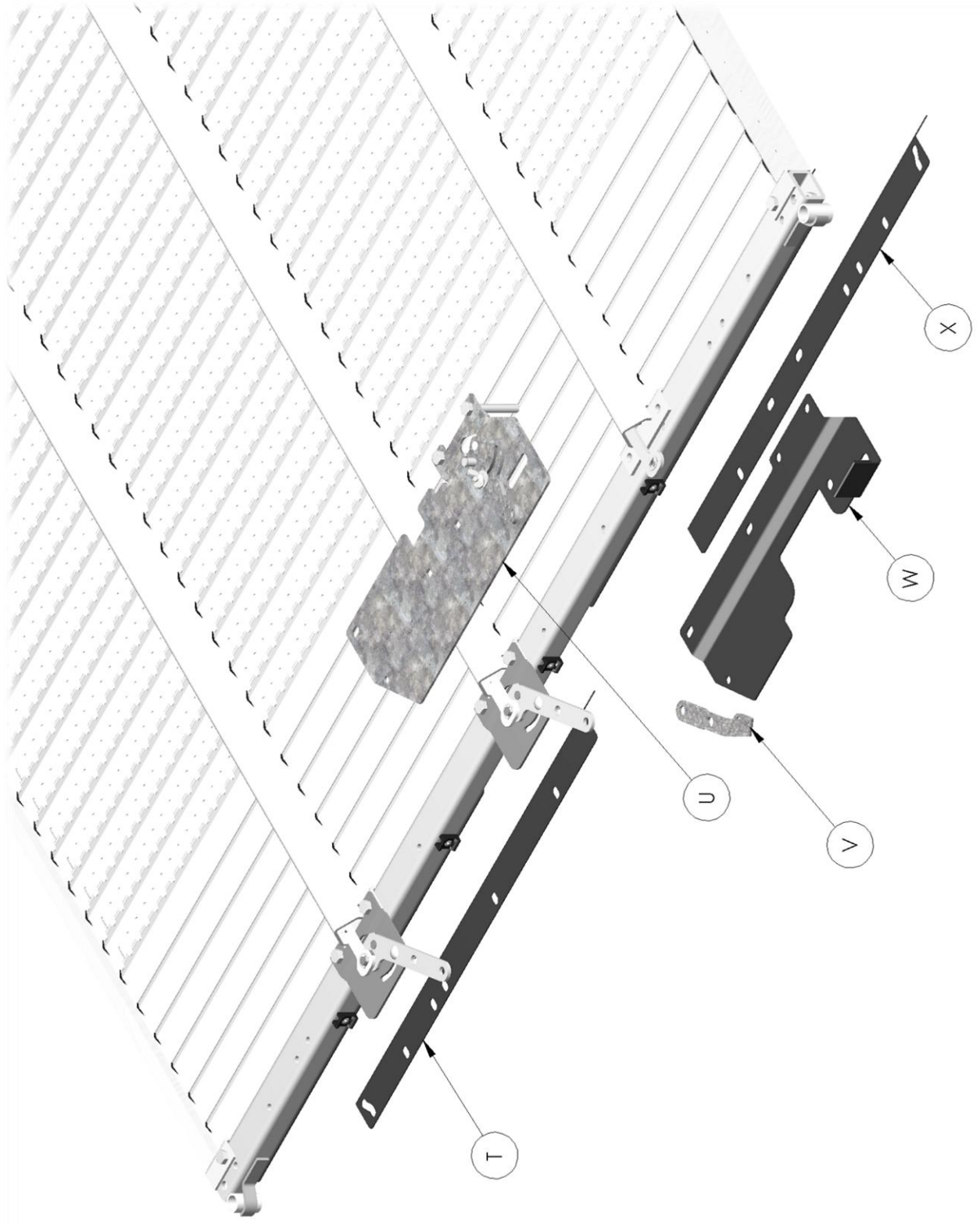
U.S. PATENT No. 6890253
AND FOREIGN PATENTS PENDING

GATEWAY DIAGRAM

The Gateway diagram on this page is generic, covering a wide variety of OEM equipment. A detailed parts list is available on the following page(s) for each specific sieve.



Remote Adjustment Option





SERVICE PART LIST

PART NUMBER: **002600**

REVISION I.D. : E

DESCRIPTION: CASE 1680, 1688, 2188, 2388 CHAFFER
S/N JJC 0047412 AND UP

<u>ITEM</u>	<u>QTY.</u>	<u>PART NUMBER</u>	<u>DESCRIPTION</u>
A	1	709009	REAR TUBE ASSY
B	1	709010	FRONT TUBE ASSEMBLY
C	1	709011	SIDE CHANNEL ASSY. - LH
D	1	709012	SIDE CHANNEL ASSY. - RH
E	162	409000	AXLE CONNECTOR - FEMALE
F	162	409001	AXLE CONNECTOR - MALE
G	54	409002	CRANK ARM - LONG
H	108	409003	CRANK ARM - SHORT
I	54	409004	END CRANK - R.H.
J	54	409005	END CRANK - L.H.
K	11	212366	PUSHNUT - .250 STUD DIA.
L	3	222042	SNAP RING
M	3	709013	DIVIDER ASSEMBLY
N	1	709015	ADJUST. BAR ASSY - REAR
O	1	709014	ADJUST. BAR ASSY - MIDDLE
P	1	709016	ADJUST. BAR ASSY - FRONT
Q	212	409007	SLAT - SIEVE
R	4	409199	FLAT SLAT - ST
S	3	709251	HANDLE ASSY.
-	2	202191	BOLT - HEX
-	14	202510	BOLT - MACHINE HEX HD.
-	14	212189	NUT - HEX LOCK
-	2	214130	WASHER - HEL. SPRING LOCK

PART NUMBER: **002602**

REVISION I.D. : E

DESCRIPTION: CASE 1680, 1688, 2188, 2388 CHAFF
S/N JJC 0047412 AND UP

<u>ITEM</u>	<u>QTY.</u>	<u>PART NUMBER</u>	<u>DESCRIPTION</u>
A	1	709009	REAR TUBE ASSY
B	1	709010	FRONT TUBE ASSEMBLY
C	1	709017	SIDE CHANNEL ASSY. - LH
D	1	709018	SIDE CHANNEL ASSY. - RH
E	120	409000	AXLE CONNECTOR - FEMALE
F	120	409001	AXLE CONNECTOR - MALE
G	40	409002	CRANK ARM - LONG
H	80	409003	CRANK ARM - SHORT
I	40	409004	END CRANK - R.H.
J	40	409005	END CRANK - L.H.
K	10	212366	PUSHNUT - .250 STUD DIA.
L	3	222042	SNAP RING
M	3	709019	DIVIDER ASSEMBLY
N	1	709021	ADJUST. BAR ASSY - REAR
O	1	709020	ADJUST. BAR ASSY - MIDDLE
P	1	709022	ADJUST. BAR ASSY - FRONT
Q	136	409055	SLAT - GATEWAY LT
R	24	409200	FLAT SLAT - LT
S	3	709251	HANDLE ASSY.
-	2	202191	BOLT - HEX
-	14	202510	BOLT - MACHINE HEX HD.
-	14	212189	NUT - HEX LOCK
-	2	214130	WASHER - HEL. SPRING LOCK

PART NUMBER: **002603**

REVISION I.D. : E

DESCRIPTION: CASE 1680, 1688, 2188, 2388 CHAFFER
S/N JJC 0047412 AND UP

<u>ITEM</u>	<u>QTY.</u>	<u>PART NUMBER</u>	<u>DESCRIPTION</u>
A	1	709009	REAR TUBE ASSY
B	1	709010	FRONT TUBE ASSEMBLY
C	1	709011	SIDE CHANNEL ASSY. - LH
D	1	709012	SIDE CHANNEL ASSY. - RH
E	162	409000	AXLE CONNECTOR - FEMALE
F	162	409001	AXLE CONNECTOR - MALE
G	54	409002	CRANK ARM - LONG
H	108	409003	CRANK ARM - SHORT
I	54	409004	END CRANK - R.H.
J	54	409005	END CRANK - L.H.
K	11	212366	PUSHNUT - .250 STUD DIA.
L	3	222042	SNAP RING
M	3	709013	DIVIDER ASSEMBLY
N	1	709015	ADJUST. BAR ASSY - REAR
O	1	709014	ADJUST. BAR ASSY - MIDDLE
P	1	709016	ADJUST. BAR ASSY - FRONT
Q	212	409055	SLAT - GATEWAY LT
R	4	409199	FLAT SLAT - ST
S	3	709251	HANDLE ASSY.
-	2	202191	BOLT - HEX
-	14	202510	BOLT - MACHINE HEX HD.
-	14	212189	NUT - HEX LOCK
-	2	214130	WASHER - HEL. SPRING LOCK



SERVICE PART LIST

PART NUMBER: 002700

REVISION I.D. : New

DESCRIPTION: CASE 2388, AF 130 Series, 50/60/7088

ITEM	QTY.	PART NUMBER	DESCRIPTION
A	1	709009	REAR TUBE ASSY
B	1	709010	FRONT TUBE ASSEMBLY
C	1	709011	SIDE CHANNEL ASSY. - LH
D	1	709012	SIDE CHANNEL ASSY. - RH
E	162	409000	AXLE CONNECTOR - FEMALE
F	162	409001	AXLE CONNECTOR - MALE
G	54	409002	CRANK ARM - LONG
H	108	409003	CRANK ARM - SHORT
I	54	409004	END CRANK - R.H.
J	54	409005	END CRANK - L.H.
K	11	212366	PUSHNUT - .250 STUD DIA.
L	3	222042	SNAP RING
M	3	709013	DIVIDER ASSEMBLY
N	1	709015	ADJUST. BAR ASSY - REAR
O	1	709014	ADJUST. BAR ASSY - MIDDLE
P	1	709016	ADJUST. BAR ASSY - FRONT
Q	212	409007	SLAT - SIEVE
R	4	409199	FLAT SLAT - ST
S	2	709251	HANDLE ASSY.
T	2	409406	RETAINER - LH
U	1	709257	HANDLE ASSY.
V	1	409404	HANDLE STRAP
W	1	409401	MOUNTING PLATE
X	2	409405	RETAINER - RH

PART NUMBER: 002702

REVISION I.D. : New

DESCRIPTION: CASE 2388, AF 130 Series, 50/60/7088

ITEM	QTY.	PART NUMBER	DESCRIPTION
A	1	709009	REAR TUBE ASSY
B	1	709010	FRONT TUBE ASSEMBLY
C	1	709017	SIDE CHANNEL ASSY. - LH
D	1	709018	SIDE CHANNEL ASSY. - RH
E	120	409000	AXLE CONNECTOR - FEMALE
F	120	409001	AXLE CONNECTOR - MALE
G	40	409002	CRANK ARM - LONG
H	80	409003	CRANK ARM - SHORT
I	40	409004	END CRANK - R.H.
J	40	409005	END CRANK - L.H.
K	10	212366	PUSHNUT - .250 STUD DIA.
L	3	222042	SNAP RING
M	3	709019	DIVIDER ASSEMBLY
N	1	709021	ADJUST. BAR ASSY - REAR
O	1	709020	ADJUST. BAR ASSY - MIDDLE
P	1	709022	ADJUST. BAR ASSY - FRONT
Q	136	409055	SLAT - GATEWAY LT
R	24	409200	FLAT SLAT - LT
S	2	709251	HANDLE ASSY.
T	2	409406	RETAINER - LH
U	1	709257	HANDLE ASSY.
V	1	409404	HANDLE STRAP
W	1	409401	MOUNTING PLATE
X	2	409405	RETAINER - RH

PART NUMBER: 002703

REVISION I.D. : New

DESCRIPTION: CASE 2388, AF 130 Series, 50/60/7088

ITEM	QTY.	PART NUMBER	DESCRIPTION
A	1	709009	REAR TUBE ASSY
B	1	709010	FRONT TUBE ASSEMBLY
C	1	709011	SIDE CHANNEL ASSY. - LH
D	1	709012	SIDE CHANNEL ASSY. - RH
E	162	409000	AXLE CONNECTOR - FEMALE
F	162	409001	AXLE CONNECTOR - MALE
G	54	409002	CRANK ARM - LONG
H	108	409003	CRANK ARM - SHORT
I	54	409004	END CRANK - R.H.
J	54	409005	END CRANK - L.H.
K	11	212366	PUSHNUT - .250 STUD DIA.
L	3	222042	SNAP RING
M	3	709013	DIVIDER ASSEMBLY
N	1	709015	ADJUST. BAR ASSY - REAR
O	1	709014	ADJUST. BAR ASSY - MIDDLE
P	1	709016	ADJUST. BAR ASSY - FRONT
Q	212	409055	SLAT - GATEWAY LT
R	4	409199	FLAT SLAT - ST
S	2	709251	HANDLE ASSY.
T	2	409406	RETAINER - LH
U	1	709257	HANDLE ASSY.
V	1	409404	HANDLE STRAP
W	1	409401	MOUNTING PLATE
X	2	409405	RETAINER - RH

HCC, inc.
1501 1ST Avenue – Mendota, Illinois 61342
(815) 539-9371 Fax (815) 539-3135
WARRANTY REGISTRATION

Delivery Date _____ Ultimate User _____

Address _____

City, State (Province) _____ Zip/Postal Code _____

Country _____ Telephone (____) _____

Dealer/Distributor Name _____

Dealer/Distributor Customer Number _____ Telephone (____) _____

Address _____

City, State (Province) _____ Zip/Postal Code _____

Country _____

To be completed by DEALER / DISTRIBUTOR or ULTIMATE USER:

Please place an (X) in front of the product or products you are submitting this Warranty Registration form for.

- _____ Orbit Reel _____ Product kit number
- _____ Gateway Sieve or chaffer _____ Product frame number
- _____ Reel
- _____ Other / List _____

Please make a copy of this WARRANTY REGISTRATION form for your records and return the original to:

**Marketing & Sales Manager
HCC, Inc.
1501 1ST Avenue
Mendota, Illinois 61342 USA**

Form must be completed and returned to HCC, Inc. within 30 days from receipt of delivery or warranty may become void.

HCC, inc.
1501 1st Avenue – Mendota, Illinois 61342
(815) 539-9371 Fax (815) 539-3135
LIMITED WARRANTY

HCC, inc. warrants each new HCC, inc. product to be free from defects in material and workmanship. This warranty is applicable only for the normal service life expectancy of the product or components, not to exceed 12 consecutive months from the date of delivery of the new HCC, inc. product to the original purchaser.

Genuine HCC, inc. replacement parts and components will be warranted for 90 days from date of purchase, or the remainder of the original equipment warranty period, whichever is longer. There is no warranty for tines.

Under no circumstances will it cover any merchandise or components thereof, which, in the opinion of the company, has been subjected to misuse, unauthorized modifications, alteration, an accident, or if repairs have been made with parts other than those obtainable through HCC, inc.

Our obligation under this warranty shall be limited to repairing or replacing, free of charge to the original purchaser, any part that, in our judgment, shall show evidence of such defect, provided further that such part shall be returned within thirty (30) days from date of failure to HCC, inc., routed through the dealer and distributor from whom the purchase was made, transportation charges prepaid.

This warranty shall not be interpreted to render HCC, inc. liable for injury or damages of any kind or nature to person or property. This warranty does not extend to the loss of crops, loss because of delay in harvesting, or any expense or loss incurred for labor, substitute machinery, rental, or for any other reason.

Except as set forth above, **HCC, inc. shall have no obligation or liability of any kind on account of any of its equipment and shall not be liable for special or consequential damages. HCC, inc. makes no other warranty, expressed or implied, and specifically, HCC, inc. disclaims any implied warranty of merchantability or fitness for a particular purpose. Some states or provinces do not permit limitations or exclusions of implied warranties or incidental or consequential damages, so the limitations or exclusion in this warranty may not apply.**

This warranty is subject to any existing conditions of supply which may directly affect our ability to obtain materials or manufacture replacement parts.

HCC, inc. reserves the right to make improvements in design or changes in specifications at any time, without incurring any obligation to owners of units previously sold.

No one is authorized to alter, modify, or enlarge this warranty nor the exclusion, limitations, and reservations.

Effective with products delivered to original user on or after January 1, 2006